

GSA Adjustable Spring Hinge

Features

- Spring loaded for self-closing
- Spring tension adjustable with three steps with a hex key
- All parts including shaft and spring made of stainless steel
- Soft-close can be achieved by using spring hinge in combination with door damper / closers, contact your nearest [Gripwell](http://www.gripwell.com) team for assistance

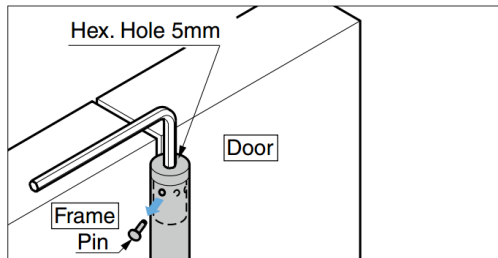
Notes

- In event of noise, to apply lubricant to washer and torsion spring

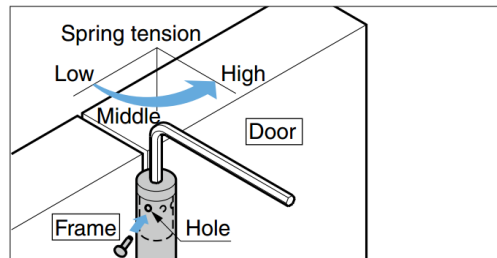


Spring Tension Adjustment

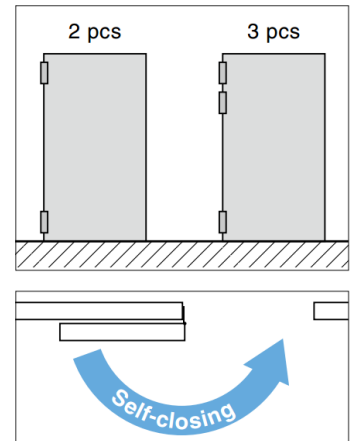
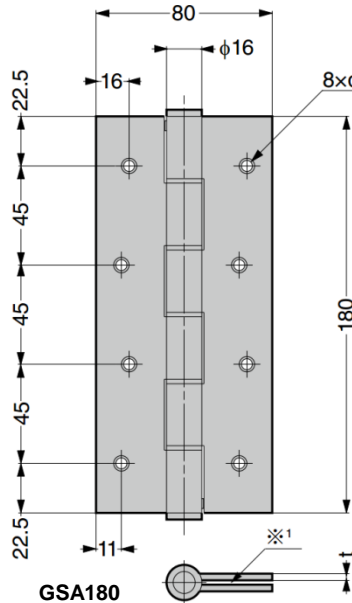
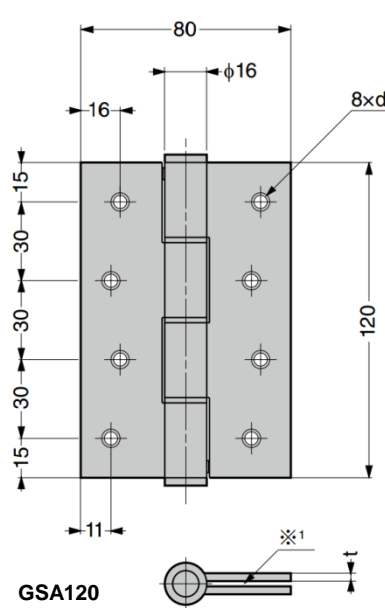
Figure below shows the case of left-hanging.



Loosen shaft with a hex key and remove the pin.



Adjust spring tension with three steps. Put the pin to the hole and fix.



※¹ After the door is closed, leaves are not parallel to each other. ※² The value in case of door width 1000mm or less

Part No.	Material	Finish	t	d	※ ² Load Capacity (2 pcs)	※ ² Load Capacity (3 pcs)
GSA120-5314-01	Aluminium Alloy	Anodised	4	∅5	196 N	20 kg
GSA180-5814-01				∅8	392 N	40 kg
GSA120-5314-05	Stainless Steel 304	Plain	2.5	∅5.5	196 N	20 kg
GSA180-5814-05				∅9	392 N	40 kg